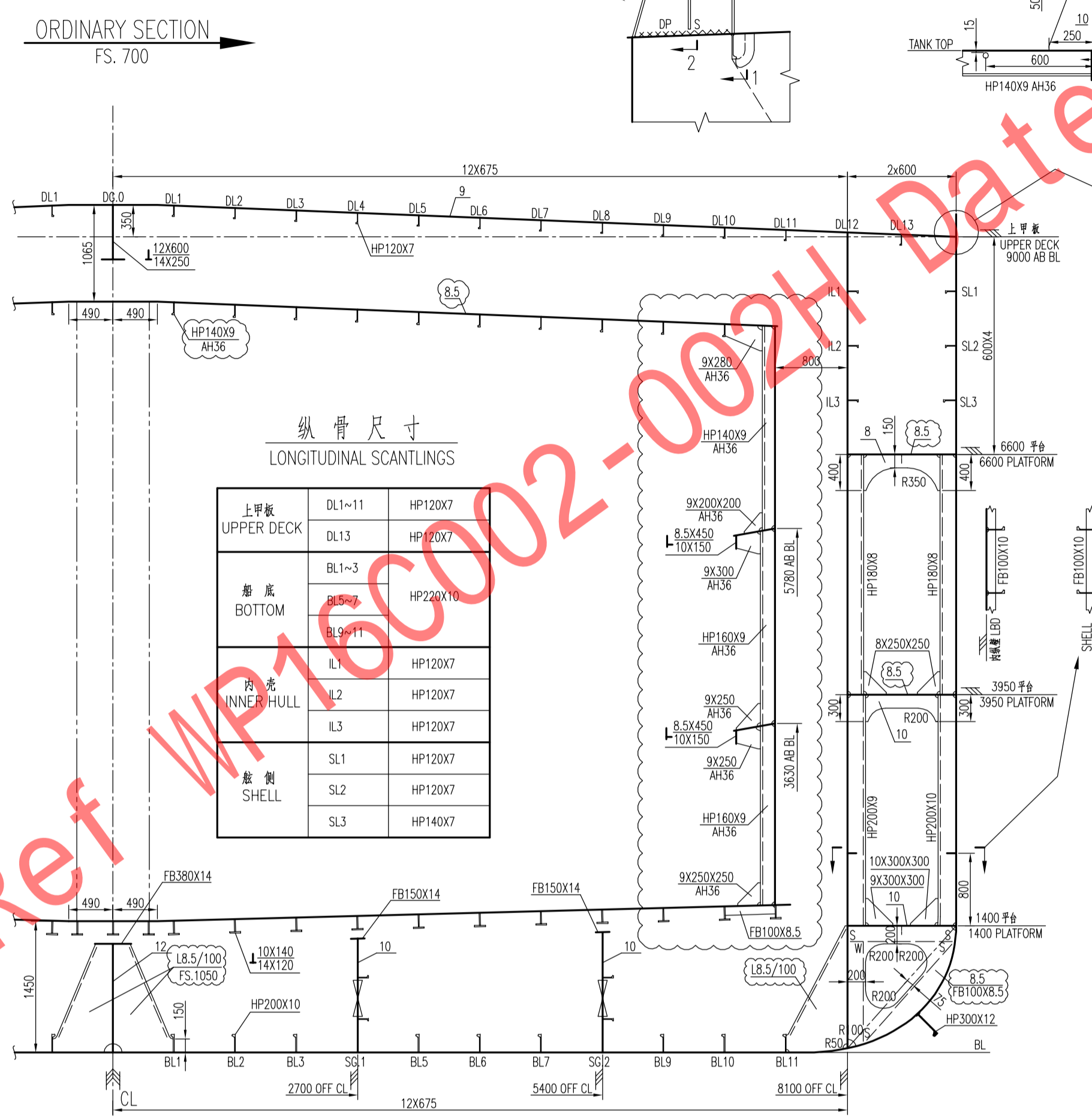
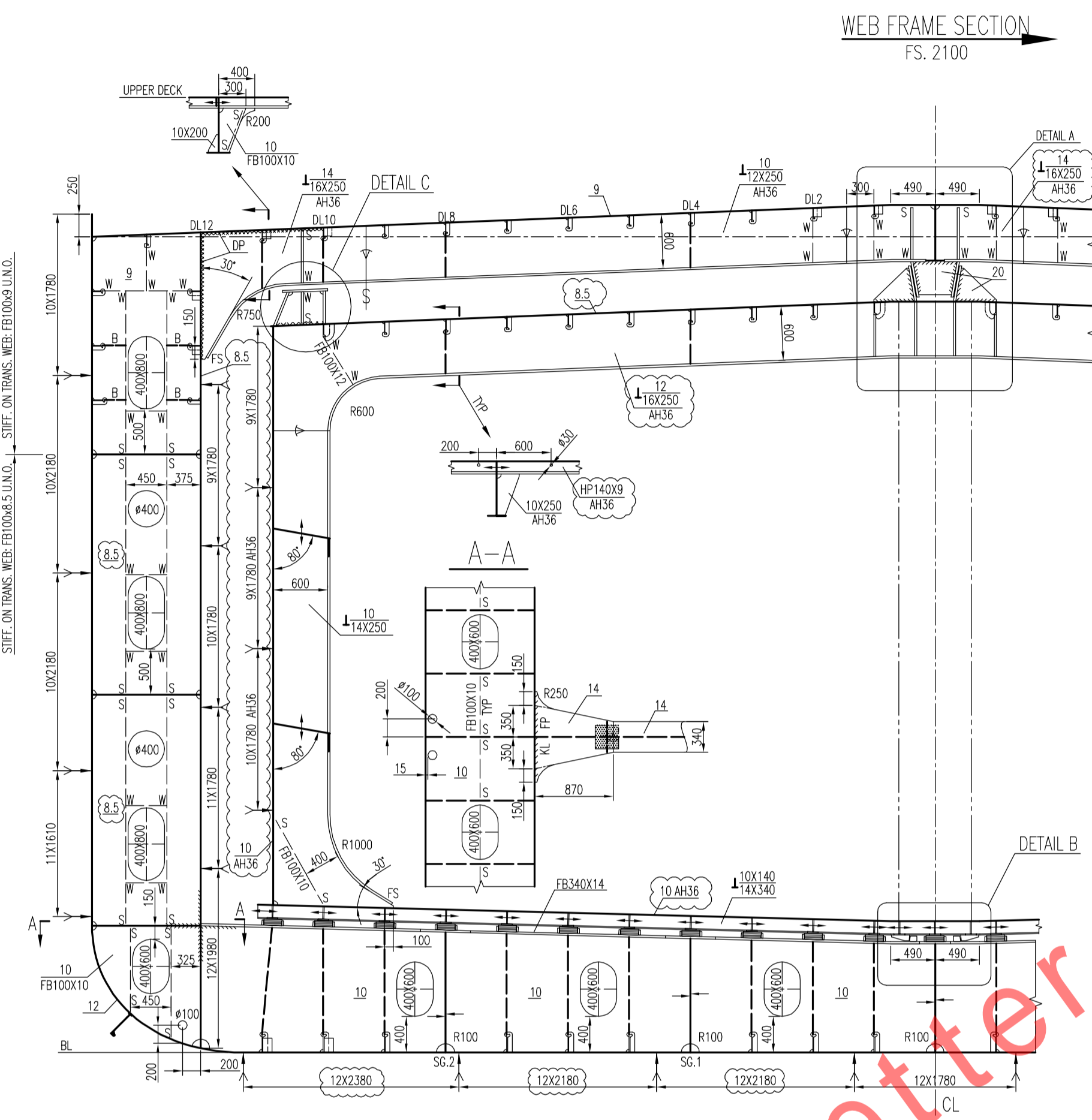
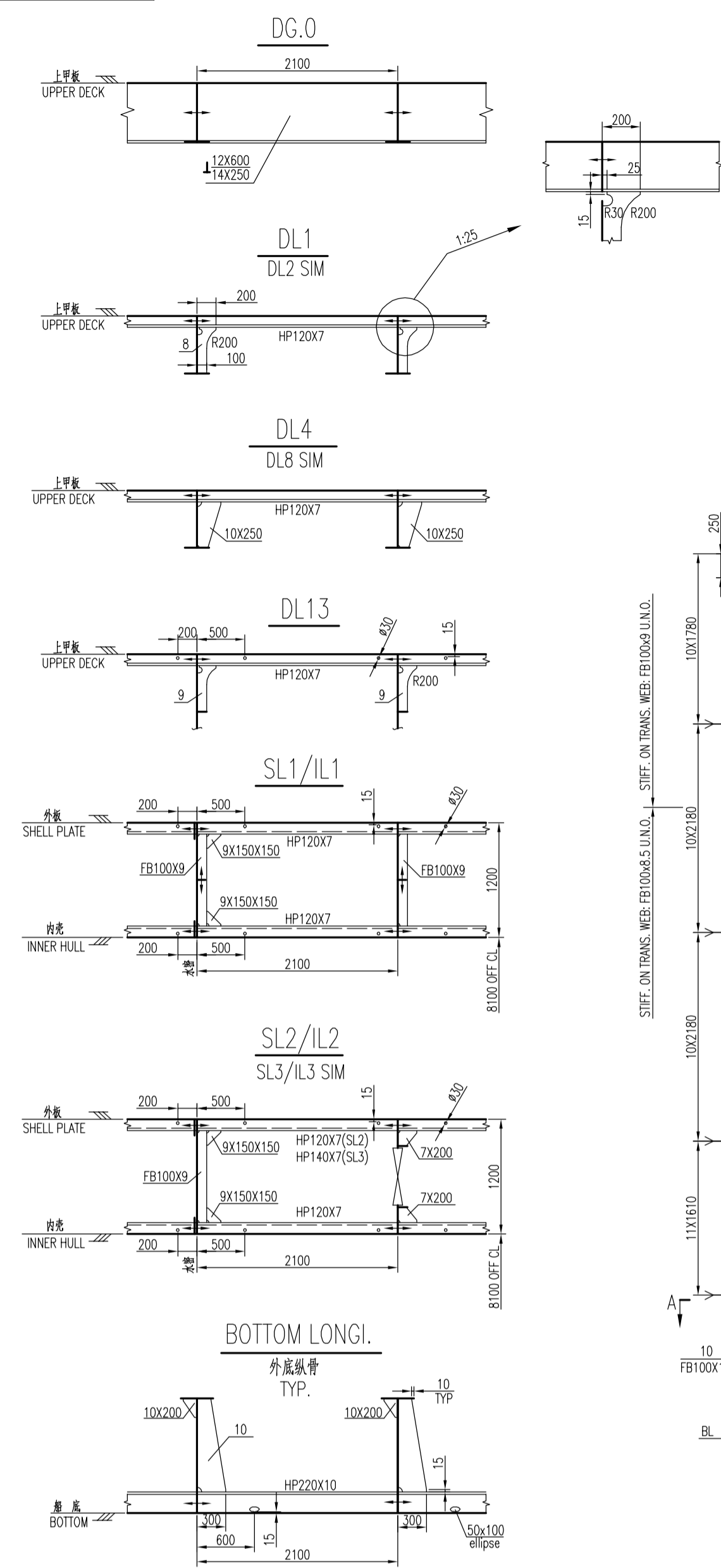


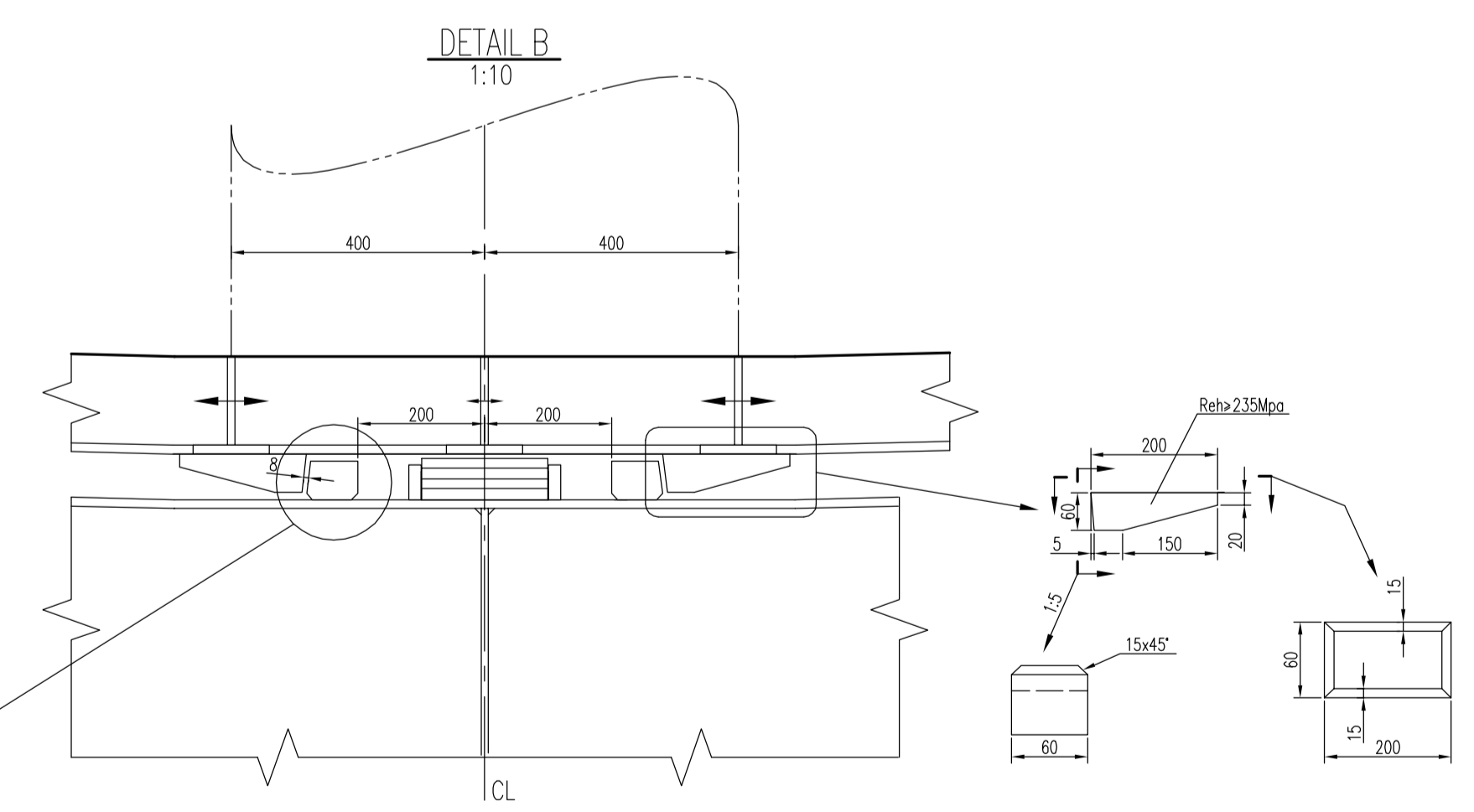
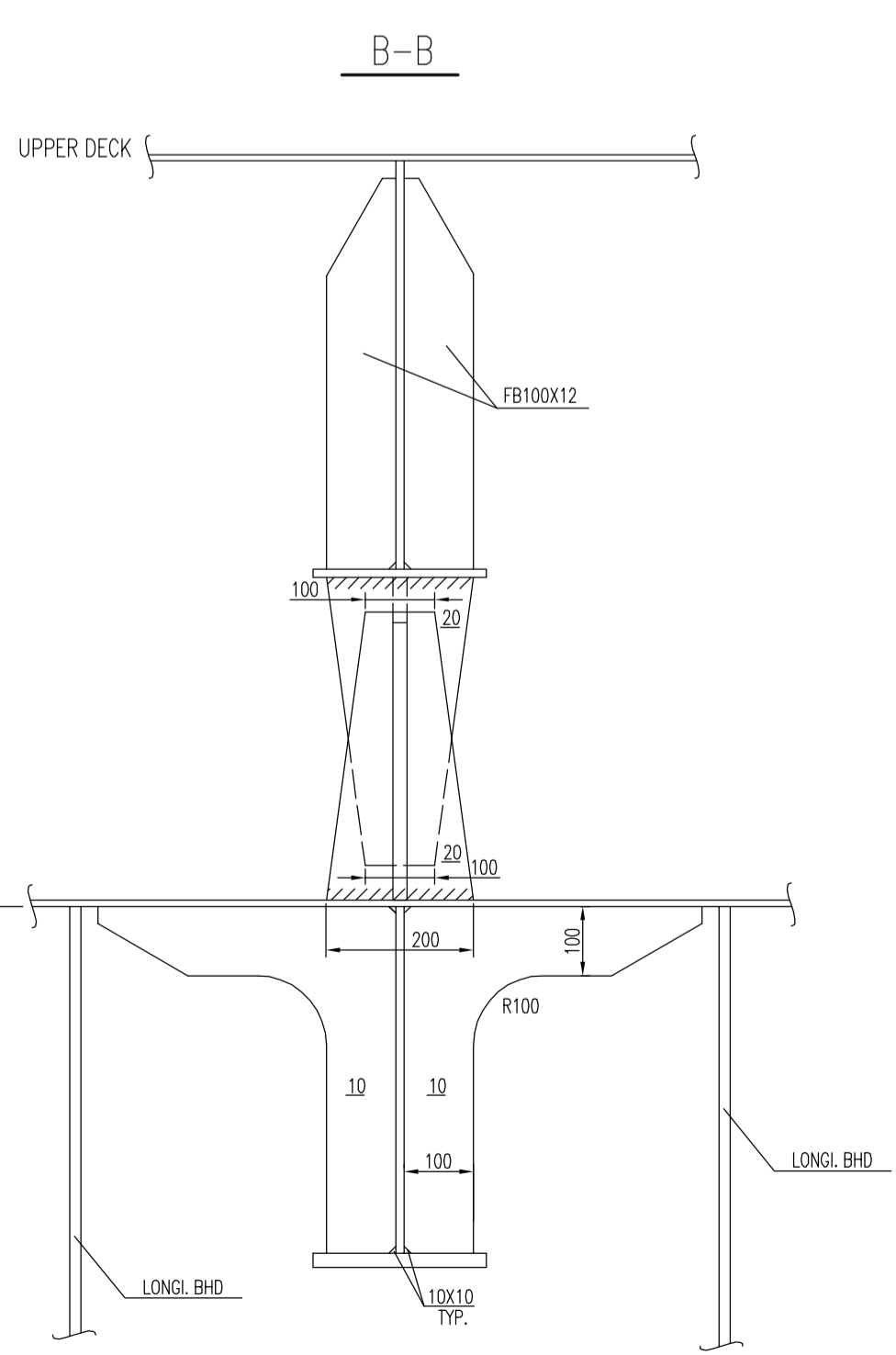
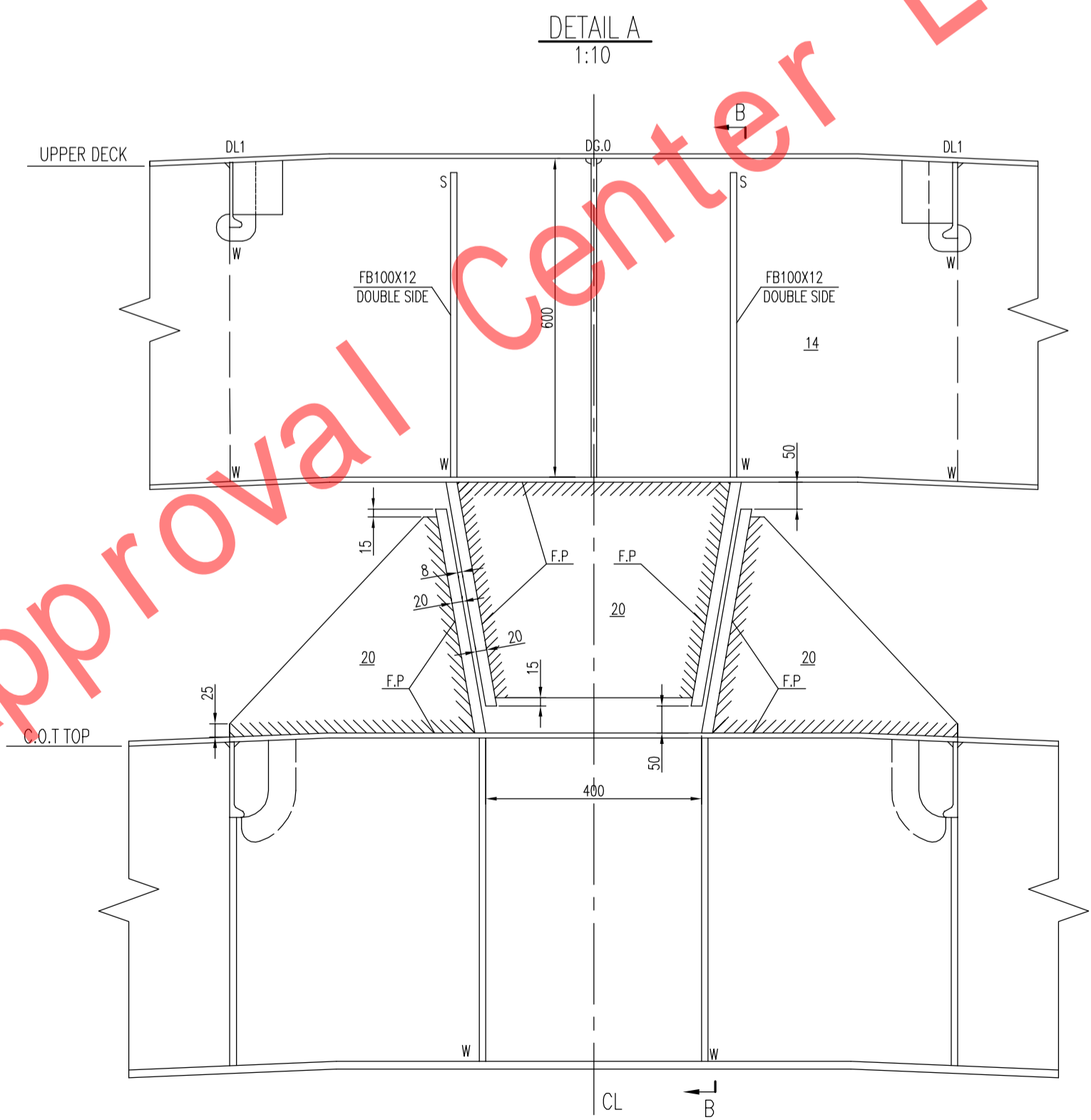
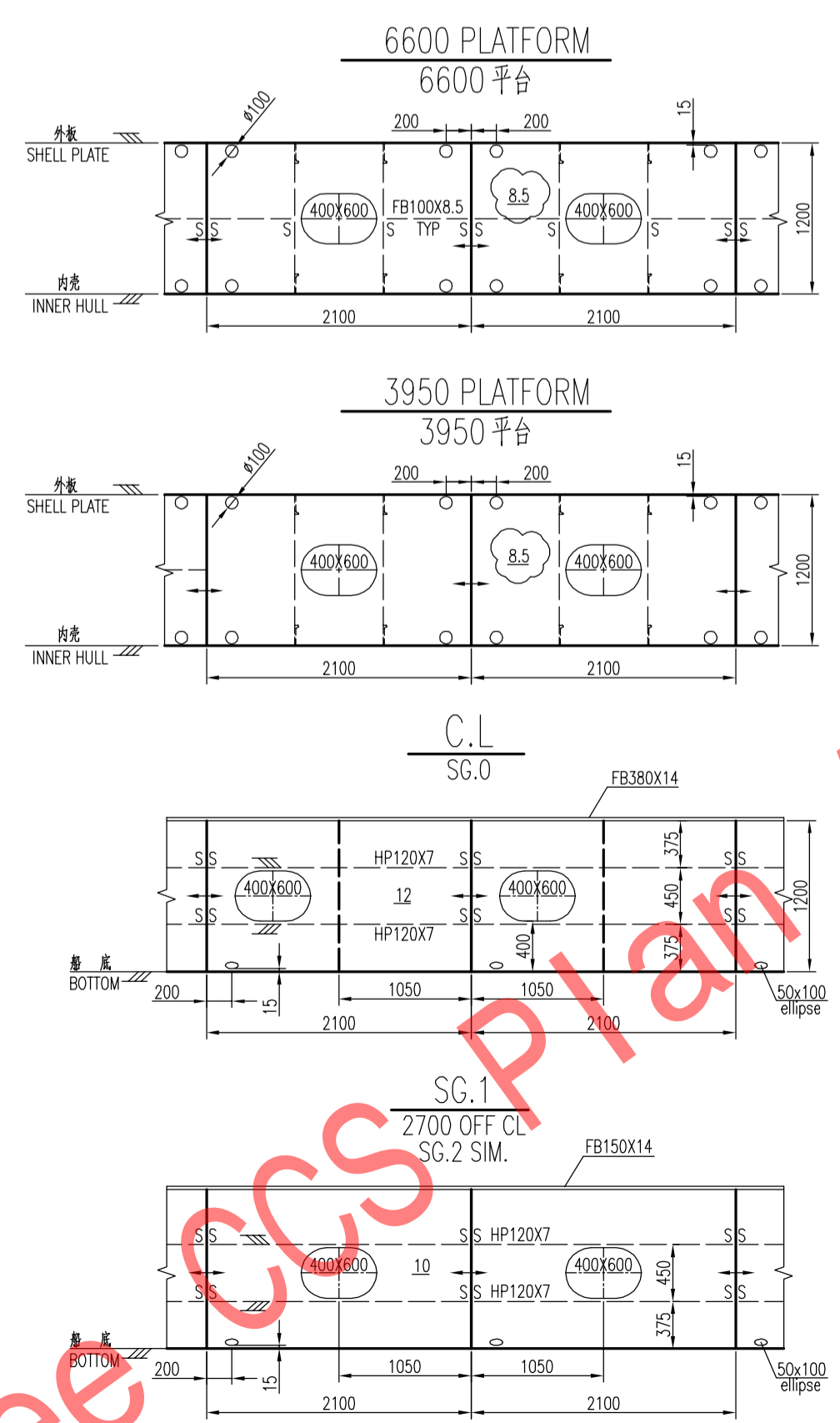
REV. No.	DATE	DESCRIPTION	MODIFY	CHECK
A	2016.03.14	ISSUED FOR OWNER&CLASS APPROVAL	Jiang su	Song shb
B	2016.03.22	ISSUED FOR OWNER&CLASS APPROVAL	Jiang su	Song shb



主要尺度及数据
PRINCIPAL DIMENSIONS

总长	LENGTH (O.A.)	99.50 m
垂线间长	LENGTH (B.P.)	94.50 m
型宽	BREADTH (M.L.D.)	18.60 m
型深	DEPTH (M.L.D.)	9.00 m
结构吃水	SCANTLING DRAFT	5.50 m
梁拱	CAMBER	0.35 m
设计静水弯矩 DESIGN SWBM:		
中拱	HOGGING	175,000 kN.m
中垂	SAGGING	-50,000 kN.m
CLASS NOTATION 船级符号		
CCS ★ CSA Asphalt Carrier, Independent tank, Maximum Cargo Temperature < 200°C, F.P. > 60°C; PSPC; In-Water Survey; ★ CSM MCC, BRC		

- NOTES:
- 1, ACCURATE SIZE OF ALL PARTS SHOULD BE DETERMINED BY APPROVED DRAWING.
 - 2, ALL MATERIALS ARE CCS CLASS GRADE A UNLESS NOTED OTHERWISE.
 - 3, BOTH SIDES ARE SYMMETRICAL UNLESS NOTED OTHERWISE.
 - 4, ALL SECTION ARE SHOWN LOOKING TO PORT SIDE AND FORWARD.
 - 5, FULL PENETRATION WELDING TO BE APPLIED WITHIN AREA WITH MARK "////".
 - 6, DEEP PENETRATION WELDING TO BE APPLIED WITHIN AREA WITH MARK "XXXX".
 - 7, THIS DRAWING ONLY FOR TYPICAL TRANSVERSE SECTIONS WITHIN 0.4L AMIDSHIP.



OWNER		HULL No.	ZX122
BUILDER	浙江振兴船舶修造有限公司	CLASS	CCS
TITLE	4,500 DWT BITUMEN CARRIER	DETAIL DESIGN	
DESIGNED	姜 苏	DWG No.	JH542-110-04
CHECKED	宋书涛	SCALE	1:50
VERIFIED	田永涛	WEIGHT	-kg
APPROVED	刘晓东	PAGE	1/1
		DATE	2016.03.22

SHANGHAI BESTWAY MARINE ENGINEERING DESIGN CO.,LTD
No.10 Building, No.518 Xinzhuang Road Shanghai, CHINA P.C: 201612 Web: www.bestwaysh.com
Tel: 86-21-6085 9800 Fax: 86-21-6085 9840 Email: luckway@mail.online.sh.cn
THIS DOCUMENT AND THE INFORMATION CONTAINED IS THE EXCLUSIVE PROPERTY OF BESTWAY. IT MUST NOT BE COPIED OR USED WITHOUT OUR WRITTEN PERMISSION.